

## YOUR A300: CONFIGURED TO YOUR PREFERENCES

### 1 A300 OPTIONS

- Second grinder
- Bean hopper without hopper extension: 1 × 0,5 kg or 2 × 0,25 kg with hopper extension: 1 × 1,1 kg or 2 × 0,55 kg lockable
- One or two separate powder dosing systems: 1 × 0,5 kg or 2 × 0,5 kg (for chocolate or milk powder), lockable
- Coffee grounds ejector
- Steam wand (only available on MS EC models)
- Water connection or water tank 4,8l

### 2 MILK SYSTEM

- FoamMaster™ (FM): hot milk and milk foam, individually adjustable consistency, integrated cleaning system
- Milk system (MS): hot milk and milk foam, exact dosing via milk pump

### 2 CLEANING SYSTEM

- EasyClean (EC): automatic cleaning system with manual addition of the cleaning fluid. Perfect hygiene in just a few steps.

### CONFIGURATION EXAMPLES

Numerous configuration options are available.



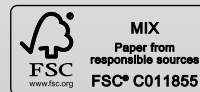
### FLEXIBILITY

Our product portfolio allows various assembly options – tailored to your needs.



**FRANKE**

MAKE IT WONDERFUL



# A300

Looking for a professional coffee machine but you assume you don't have enough space? With its intuitive, easy-to-use screen and consistent in-cup quality, our A300 provides a premium coffee experience in the most compact format. So, whether you're serving customers in a bakery, a small restaurant or employees in an office, this model has you covered. And if that wasn't enough, you can always rely on the A300 to produce an excellent cup of coffee no matter if it's being operated by your staff or an employee using the self-service option.

CAPACITY*	SINGLE	PARALLEL
Espresso	124	164
Cappuccino	92	132
Coffee	77	98
Hot water	90	

\*Cups per hour according to DIN 18873



**EASYSYSTEM**  
Automatic cleaning system – perfect hygiene in just a few steps



**TOUCH SCREEN**  
Easy to use even for new users



**FOAMMASTER™**  
For perfect foam, every time

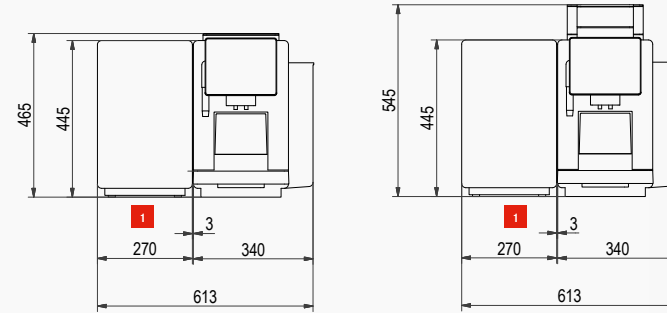
**FRANKE**

MAKE IT WONDERFUL

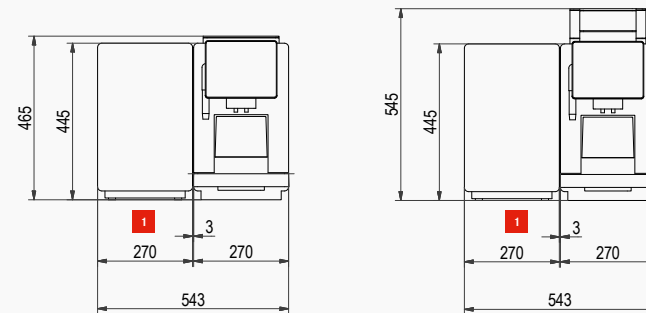
# TECHNICAL DATA

## MACHINE MODELS

<b>Model</b>	<b>Power</b>
A300	220-240 V 1LNPE 50/60 Hz 2.1-2.3 kW (10 A)
A300 MS EC	220-240 V 1LNPE 50/60 Hz 2.1-2.3 kW (10 A)
A300 FM EC	220-240 V 1LNPE 50/60 Hz 2.1-2.3 kW (10 A)
<b>Dimensions with water tank</b>	Without hopper extension, without powder dosing system 340 mm / 465 mm / 587 mm (W / H / D)  With hopper extension, with powder dosing system 340 mm / 545 mm / 587 mm (W / H / D)
<b>Dimensions with water connection</b>	Without hopper extension, without powder dosing system 270 mm / 465 mm / 587 mm (W / H / D)  With hopper extension, with powder dosing system 270 mm / 545 mm / 587 mm (W / H / D)
<b>Weight (empty)</b>	approx. 25 kg



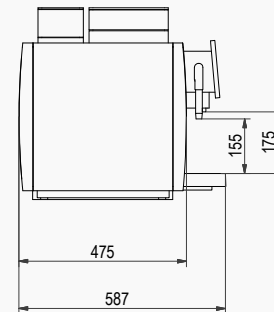
Option with internal water tank



Option with water connection

## WATER CONNECTION

<b>Fixed water connection</b>	Metal hose with union nut G3/8", L = 1500 mm
<b>Water supply line</b>	If possible on installation side: untreated water of drinking water quality (not from household decalcification system)
<b>Water pressure</b>	80-800 kPa (0.8-8.0 bar)
<b>Flowrate</b>	>0.1l/sec
<b>Water temperature</b>	<25°C
<b>Total hardness</b>	4-8 °dH GH (German total hardness) / 7-14 °fH GH (French total hardness) / 70-140 ppm (mg/l)
<b>Carbonate hardness</b>	3-6 °dH KH (carbonate hardness) / 50-105 ppm (mg/l)
<b>Acid content/pH value</b>	6.5-7.5 pH
<b>Chlorine content</b>	<0.5 mg/l

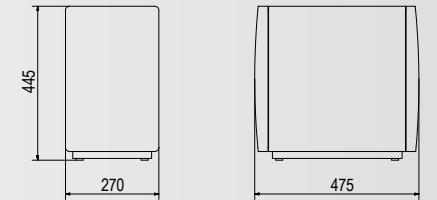


## WATER DRAIN

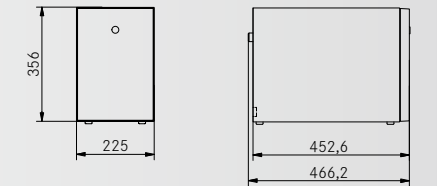
<b>Drain hose</b>	Dia. = 16 mm, L = 2000 mm
-------------------	---------------------------

## ADD-ON UNITS

<b>REFRIGERATION UNIT</b>	<b>SU05 EC (5 I)</b>
<b>Electrical connection</b>	220-240 V 1LNPE 50/60 Hz 0.72 A (10 A)
<b>Dimensions</b>	270 mm / 445 mm / 475 mm (W / H / D)
<b>Weight (empty)</b>	approx. 20 kg
<b>Compatible with</b>	Model A300 MS EC / A300 FM EC
<b>Color</b>	Black



<b>REFRIGERATION UNIT</b>	<b>KE200 (4 I)</b>
<b>Electrical connection</b>	220-240 VAC, 1L N PE, 82 W, 10 A, 50-60 Hz
<b>Dimensions</b>	225 mm / 356 mm / 453 mm (W / H / D)
<b>Weight (empty)</b>	approx. 13 kg
<b>Compatible with</b>	Model A300 MS EC / A300 FM EC
<b>Color</b>	Stainless steel



<b>ACCOUNTING SYSTEM</b>	<b>AC125CL</b>
<b>Electrical connection</b>	85-264V 1LNPE 50/60 Hz (10A)
<b>Dimensions</b>	125 mm / 150 mm / 310 mm (W / H / D)
<b>Weight (empty)</b>	approx. 2 kg
<b>Color</b>	Black

